



TEREX

1704 MI

Material Handler

OPERATING WEIGHT	67,800 - 58,200 lbs (26,200 - 25,400 kg)
NET ENGINE POWER	213 hp (157 kW)
MAX REACH	43' 6" (13.3 m)



MATERIAL HANDLER
1704 MI

Specifications

Engine

Manufacturer / Model	Deutz / BF6M 1013 EC
Type	Turbocharger / intercooler
Engine output (acc. to ISO 1585)	213 hp (157 kW)
Displacement	436 in ³ (7.14 L)
Maximum rpm	2000 min ⁻¹

Noise Level

Outside cab (LwA)	103 dBA
Inside cab (LpA)	75 dBA
Noise level well below EU limits	

Fluid Capacities

Fuel tank	79 gal (300 L)
Hydraulic tank	102 gal (385 L)
Engine oil tank	6 gal (21 L)

Hydraulic System

Computer controlled AWE4 system with one load limit controlled high performance piston pump and fuel saving oil supply on demand in order to ensure sensitive, proportional and load independent control of all movements. Primary and secondary safeguarding of the hydraulic system against overload. Anti-cavitation valves for all working functions throttle control in the lifting and folding circuit.

Hydraulic system	1 x axial piston pump
Main pump	HPR 160/130
Max. gear pump output	85 / 71 gpm (320 / 370 L/min)
Maximum operating pressure	5,551 psi (380 bar)

Brakes

Service brake:	Multi-disc type
Parking brake:	Spring loaded type

Specifications

Electrical System	
Operating voltage	24 Volt
Cold-start high performance batteries	2 x 143 Ah
Complete electrical system acc. StVZO	

Cab	
Shock absorbing resilient mountings • Heat insulated panoramic windows for best all around visibility • No glare interior • Up and over windscreen • Lockable under roof panel • Sliding window in cab door • Air conditioning • Ergonomic control levers • Forward and reverse seat adjustment independent of the control panel, fold away arm rest on the left side • AM / FM cassette stereo	

Swing Mechanism	
Swing mechanism with dual-drive	
Swing motor	Axial piston with priority valve
Swing gear box	Planetary gearing
Swing brake*	Lockable multi-disc
Drive internally toothed	
Swing speed	8.5 min ⁻¹
Swing torque	49,600 lb•ft (67.2 kNm)

*Straight forward swing operations while on grades due to foot locking pedal brake, if swing pressure exceeds 1,740 ppi (120 bar).

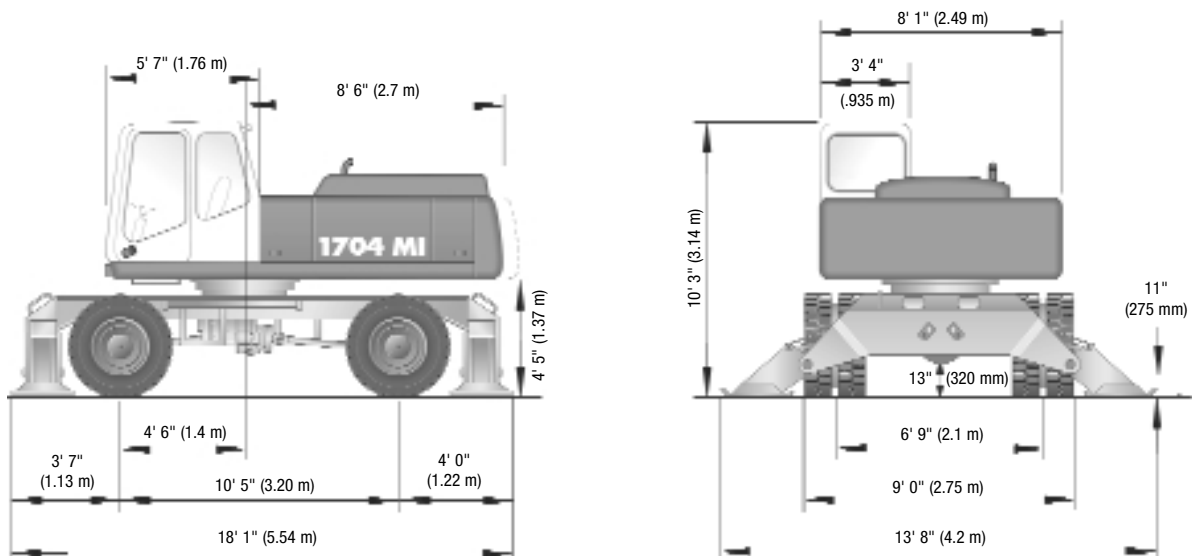
Tires	
8-ply, solid elastic	10.00 - 20
Turning radius	27 ft. 3 in. (8.3 m)

Undercarriage	
70 ton (154,323 lbs) special excavator axles with planetary gears in all four wheel hubs	
All wheel drive	
Variable speed motor and accelerator pedal control	
Double acting travel brake valve	
Select driving direction via push button on the right hand joy-stick	
Steering axle with automatic blocking of the pendulum axle	
Steering via potentiometer (no steering wheel) and joy-sticks with push button (for off-road driving)	

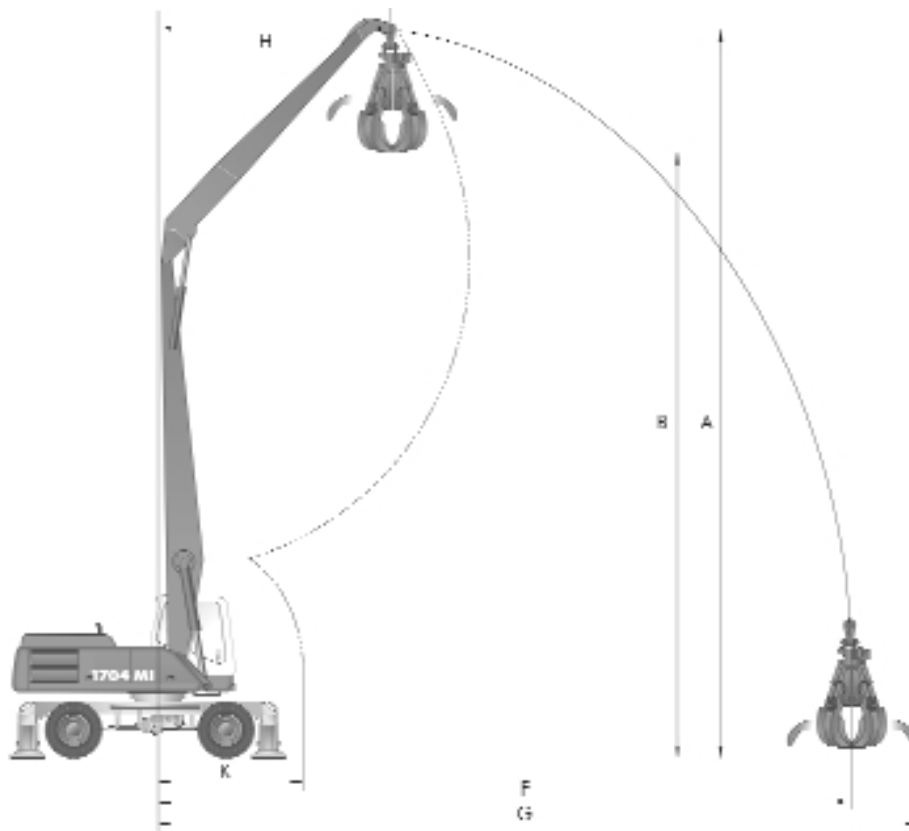
Traveling Speed	
Low	0 - .621 mph (0 - 1.0 km/h)
Off-road (high)	0 - 3.42 mph (0 - 5.5 km/h)
On-road (high)	0 - 12.43 mph (0 - 20 km/h)

Operating Weight	
Operating weight	54,113 - 60,627 lbs (24,500 - 27,500 kg)
Basic machine includes work attachment, 5 tine grapple	
2,540 lbs (1,152 kg)	
Reach 35' 9" (10.9 m)	57,800 lbs (26,200 kg)
Reach 50' 11" (15.5 m)	58,200 lbs (26,400 kg)

Dimensions



Working Ranges



Total Reach: 35' 9" (10.9 m)
Boom 19' 8" (6 m), Stick 16' 5" (5 m)

Equipped with grapple

A Jib height	40' 2" (12.25 m)
B Dumping height	23' 1" (9.60 m)
F Max. length of jib	37' 4" (11.4 m)
G Max. outreach	41' 0" (12.5 m)
H Max. outreach length	12' 6" (3.85 m)
K Min. length of jib	9' 3" (2.8 m)

Total Reach: 43' 6" (13.3 m)
Boom 25' 7" (7.8 m), Stick 19' 8" (6 m)

Equipped with grapple

A Jib height	47' 4" (14.5 m)
B Dumping height	39' 2" (11.9 m)
F Max. length of jib	44' 9" (13.7 m)
G Max. outreach	48' 5" (14.8 m)
H Max. outreach length	14' 11" (4.3 m)
H Min. length of jib	10' 7" (3.2 m)

Standard Equipment

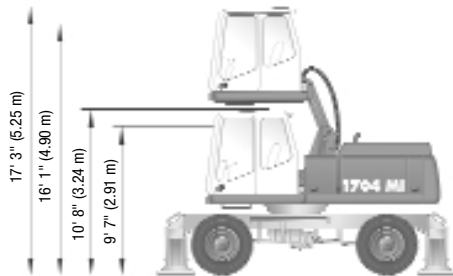
Hydraulic installation for grab operation and grab rotation
Fuel tank indicator
Battery main switch in the negative wire
Skylight with window
Air conditioned cab with storage area
Comfort seat with arm rests and lumbar support
Tool-box in the superstructure
Sealed base boom pivot pins
Emergency boom lowering accumulator
Windscreen washer

Sliding window in the cab door
Intermediate rings between the tire pairs
Travelling with foot pedals
Infinitely adjustable steering column (height and tilt)
4 hydraulic stabilizers
Hydraulic cab lift 6' 7" (2 m)
2 spot lights mounted on cab
AM / FM cassette stereo
Automatic central lube
Solid 12.00-20 tires

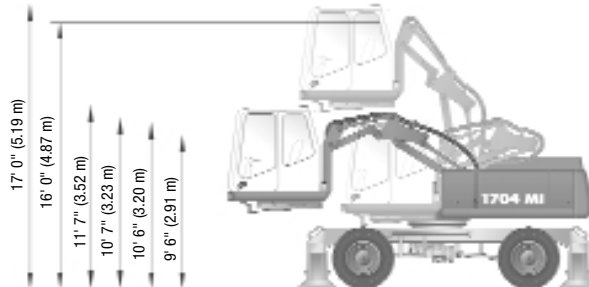
Material Handler 1704 MI

Cab Design

Hydraulic cab lift



Hydraulic cab lift with horizontal / vertical



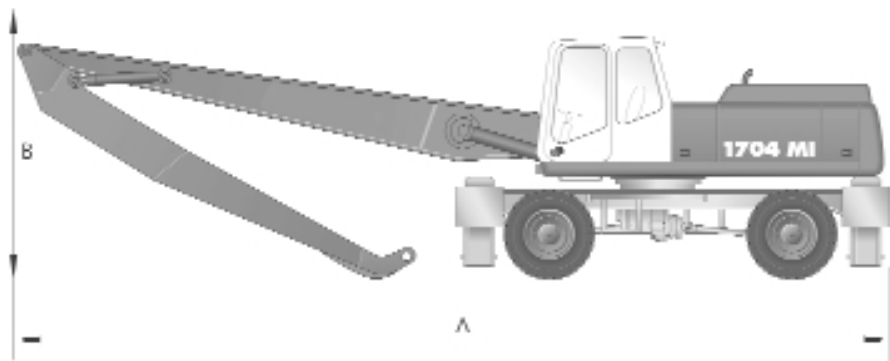
Loading Dimensions

Reach 35' 9" (10.89 m) Boom System

Length A 34' 1" (10.4 m)
Height B 10' 6" (3.2 m)

Reach 43' 6" (13.25 m) Boom System

Length A 37' 2" (11.35 m)
Height B 10' 6" (3.2 m)



Attachments

			Capacity	Weight
Grapples	4 tine	Open	.72 yd ³ (550 L)	2,190 lbs (993 kg)
	4 tine	Half-Open	.72 yd ³ (550 L)	2,495 lbs (1,132 kg)
	5 tine	Open	.72 yd ³ (550 L)	2,540 lbs (1,152 kg)
	5 tine	Half-Open	.72 yd ³ (550 L)	2,780 lbs (1,260 kg)
Quick-Attach connection available.				
Contact your local TEREX Material Handling distributor for more attachment options.				



For more information, product demonstration, or details on purchase, lease and rental plans, please contact your local TEREX Material Handling Distributor.

TEREX Construction Americas

8800 Rostin Road
Southaven, MS 38671
USA

TEL 662-393-1800
SALES 866-837-3923
PARTS & TECH SUPPORT 888-201-6008
FAX 662-393-1700
EMAIL sales@terexca.com
WEB terexca.com

Effective date: January 1, 2005. For further information, please contact your local distributor or the TEREX sales office listed. Continuous improvement of our products is a TEREX policy. Product specifications are subject to change without notice or obligation. The photographs and drawings in this brochure are for illustrative purposes only. Refer to the appropriate Operator's Manual for instructions on the proper use of this equipment. Failure to follow the appropriate Operator's Manual when using our equipment or to otherwise act irresponsibly may result in serious injury or death. Prices and specifications subject to change without notice. The only warranty applicable is the standard written warranty applicable to the particular product and sale. TEREX makes no other warranty, expressed or implied. Products and services listed may be trademarks, service marks or trade-names of TEREX Corporation and/or its subsidiaries in the USA and other countries and all rights are reserved. "TEREX" is a Registered Trademark of TEREX Corporation in the USA and many other countries. Copyright ©2005 TEREX Corporation